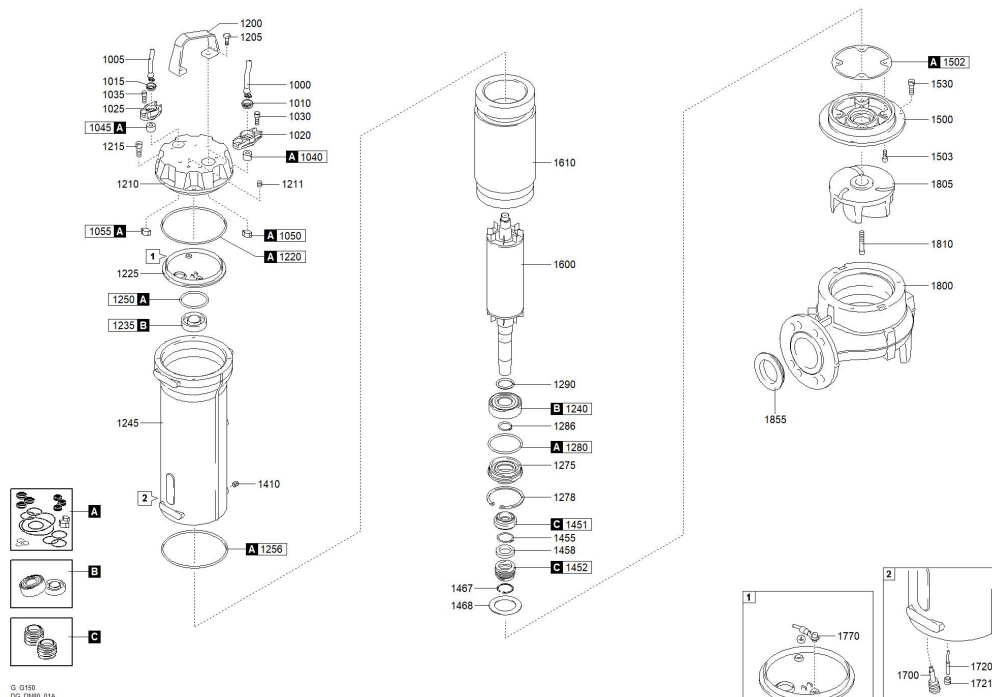




1518.001 - DGG 550/2/80 N0FT5 NGTAB51040N00NN



G 0150
DG DNB 01A



1518.001 - DGG 550/2/80 N0FT5 NGTAB51040N00NN

Code	Description	Q.ty
A	GASKETS KIT	1
C	MECHANICAL SEALS KIT	1
B	BEARINGS KIT	1
1000	CAVO POTENZA	1
1010	RING NUT [POWER CABLE]	1
1020	CABLE GLAND [POWER CABLE]	1
1030	SCREW - CABLE GLAND [POWER CABLE]	2
1040	RUBBER GASKET [POWER CABLE]	1
1050	COLLAR CLAMP [POWER CABLE]	1
1200	HANDLE	1
1205	SCREW [HANDLE >> COVER]	2
1210	COVER	1
1211	CAP [TIGHTNESS TEST]	1
1215	SCREW [COVER >> MOTOR CASE]	6
1220	GASKET [COVER >> UPPER BEARING HOLDER]	1
1225	UPPER BEARING HOLDER	1
1235	UPPER BEARING	1
1240	LOWER BEARING	1
1245	MOTOR CASE	1
1250	GASKET [UPPER BEARING]	1
1256	GASKET [MOTOR CASE >> PUMP PLATE]	1
1275	LOWER BEARING FLANGE	1
1278	SEEGER [LOWER BEARING FLANGE]	1
1280	GASKET [LOWER BEARING FLANGE]	1
1286	SEEGER [LOWER BEARING >> LOWER BEARING FLANGE]	1
1290	DISTANCE RING [LOWER BEARING]	1
1410	CAP [OIL CHAMBER]	1
1451	1st MECHANICAL SEAL	1
1452	2nd MECHANICAL SEAL	1
1455	SEEGER [1st MECHANICAL SEAL >> 2nd MECHANICAL SEAL]	1
1458	DISTANCE RING [1st MECHANICAL SEAL >> 2nd MECHANICAL SEAL]	1
1467	SEEGER [2nd MECHANICAL SEAL]	1
1468	DISTANCE RING [2nd MECHANICAL SEAL]	1
1500	PUMP PLATE	1
1502	GASKET [PUMP PLATE]	1
1503	SCREW [PUMP PLATE >> MOTOR CASE]	6
1530	SCREW [PUMP PLATE >> PUMP BODY]	6
1600	SHAFT WITH ROTOR	1
1610	WOUND STATOR	1
1800	PUMP BODY	1
1805	IMPELLER	1

1810	270831010303200000	LOCKING IMPELLER	1
1855	2750730403100	DISCHARGE GASKET	1